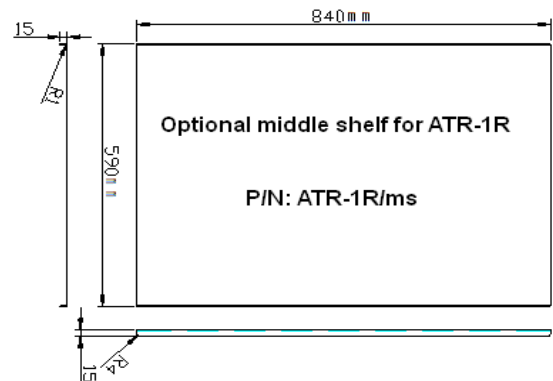


ATR-1R ESD Safe Utility Cart



The cart is designed to work as a mobile work station and to transport static sensitive parts and equipment.

Features:

- Fully Static Safe with truly ESD safe wheels and the grounding chain
- Solidly built with epoxy powder coated steel
- Equipped with large, Non-Marking ESD Safe wheels
- The Top Shelf lined with Static Safe, Non-Burn rubber mat
- Ergonomic handle on the front of top shelf to pull or to push
- 10mm Grounding Snap on the side of the Top Shelf and 6ft Grounding Coil cord to safely ground the cart and discharge static if used on Non-ESD floors
- Prepared to accept the optional middle shelf (Bokar P/N ATR-R/ms)

Technical specifications:

Dimensions: 850mm x 600mm x 700mm (Length x Width x Height)

Load Capacity: 400Lbs (185Kgs)

P/N X-DOC223
March 22/2017
Rev. B

650 Scranton Pocono Hwy.,
Covington Twp., PA 18444, USA
Tel: (570) 842-2812 Fax: (570) 842-4290
E-Mail: bokar@bokar.com

www.bokar.com



Assembly Instructions

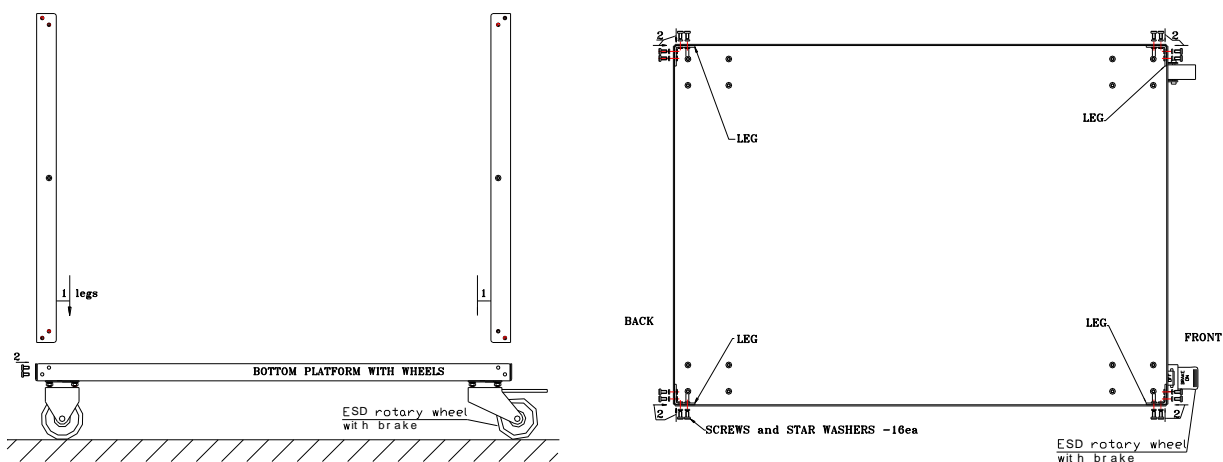
Content of the Box:

1. Two Platforms
 - Top platform with ESD rubber lining and a handle (note: for transport the handle is mounted on the inside). Please mount the handle on the outside of the platform before use
 - Bottom platform with 4 ESD Safe Wheels (two stationary and two rotary with brakes)
2. 4 Legs
3. 32 Screws (M5x10)
4. 32 Star Washers (M5)
5. 1 Hex Wrench (3mm)

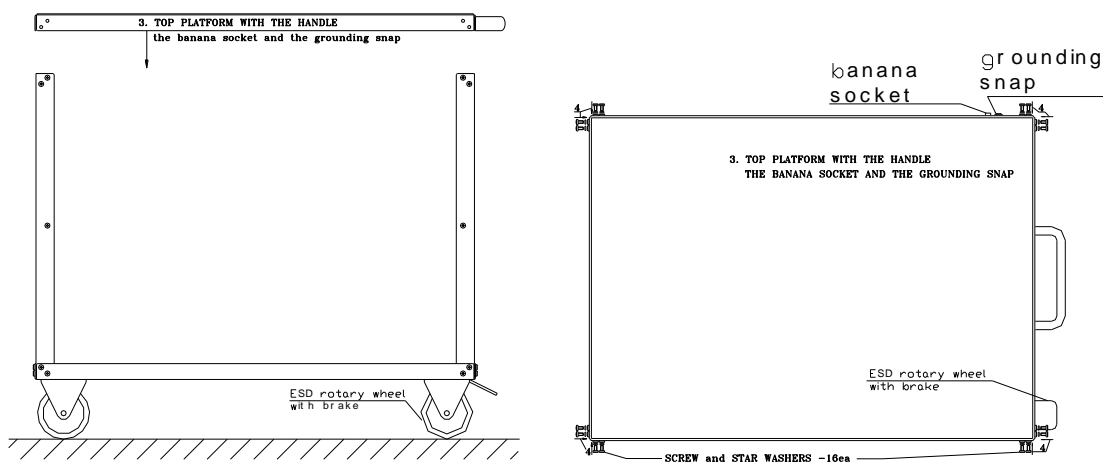


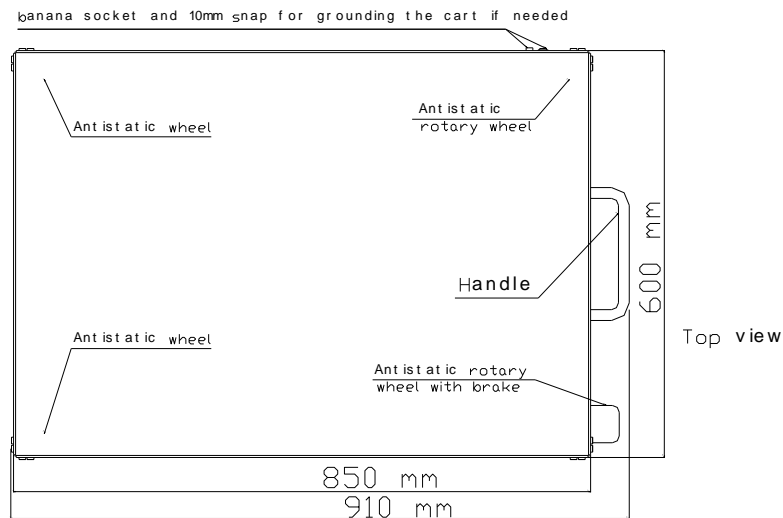
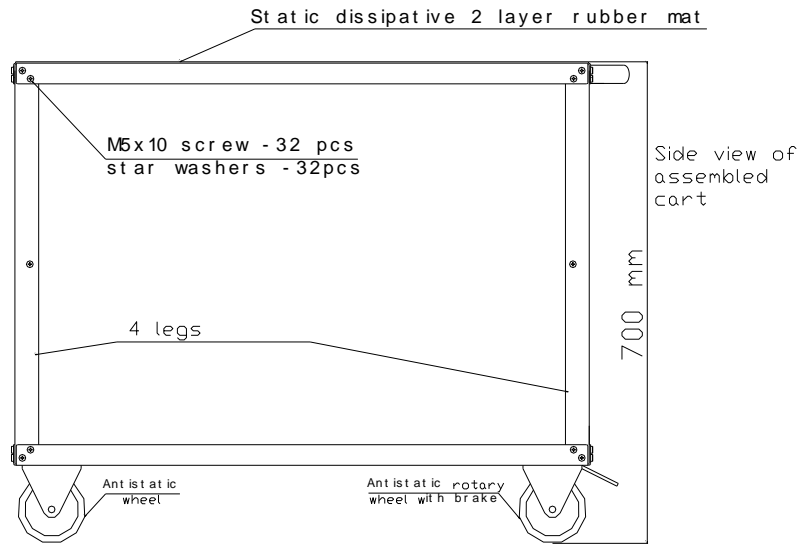
A). Remove the handle from the inside of the top platform and place it on the outside of the platform (see below).

B). Attach the Legs to the Platform with Wheels Using 16 M5 Screws and 16 M5 washers in the order Shown Below:



C). Attach the Legs to the Top Shelf in the Same Order as B).





SMT: www.Assembly-SMT.com www.FineRework.com www.X-Reflow306.com,
www.X-1003.com www.SMTrepair.com www.SMTFocus.com
www.SMTdispenser.com www.BestBatchOven.com www.SMT-tool.com

ESD: www.ESDapparel.com www.ESDmeters.com www.ESDpackaging.net
www.ZeroCharge.net www.No-Stat.com www.ESDchair.com
www.ESDlabcoats.com www.ESDcarts.net www.ESDbrushes.com

Other: www.SMT-ESD.com www.SuperiorScrewdrivers.com www.Super-Iron.com

Latest Additions: www.esd gloves.info www.FumeXtraction.com www.ULT.de (excellent German made Fume extractors)



BOKAR International
 650 Scranton Pocono Hwy.,
 Covington Twp., PA 18444, USA
 Tel: (570) 842-2812 Fax: (570) 842-4290
 e-mail: bokar@bokar.com

www.bokar.com

US Master Distributor: www.bomir.com

e-mail: bomir@bomir.com